

Belmixing-bowl-lift 1050 Depositor

Innovation in depositing!

Beldos offers a range of versatile volumetric stainless steel depositors with optional attachments for depositing, injection, layering and decoration. Beldos depositors will replace your pastry bag, spoon or a measuring cup and will become the most reliable, easy-to-use and intelligent equipment at your production!

1. Design features:

- dosing of products directly from a mixing bowl or a bucket
- quick clean-up for working with different products
- mounted on a mobile frame pneumatically adjustable in height with a lift system for easy changing of mixing bowls
- 2 operation modes:
 - foot pedal operation
 - handgun switch



SPECIFICATIONS

	Belmixing-bowl-lift 1050
POWER	Air: 158 l/min at 30 deposits/min 7 Bar/102 PSI
DEPOSIT RANGE	50 - 1050 ml



up to 50
deposits/min



particle size:
max Ø 2,5 cm



stainless steel

adjust the volume



more than 20
nozzles available

turn-over system for easy
removal of mixing bowls



adjust the speed



product cylinder



d 50,8 mm
50-440 ml



d 76,2 mm
200-1050 ml



pneumatically adjustable in
height frame



OPTIONS
ATTACHMENTS



support tray
for mixing
bowls/buckets



balancer for
handguns



follower plate
for a
mixing bowl

NOZZLES



handgun
nozzle



double
injection/fill
attachment



injection needle
attachment



filling tube
attachment



rotary
cut-off
nozzle



vertical
nozzle



spreader &
icing
attachment

APPLICATIONS

 - 8°
cold products

+120° 
hot products



DEPOSITING



ONLY pourable products: liquid/semi-liquid products, soft paste, aerated products



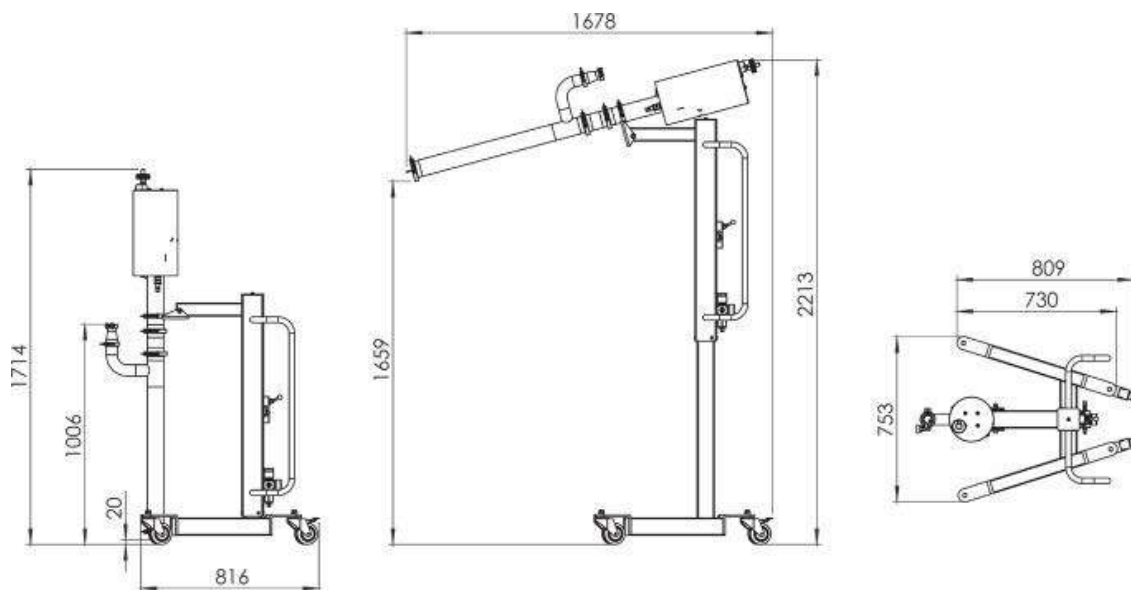
 **DEPOSITOR**
SOLUTIONS

www.depositorsolutions.com

Call : 07484 381042

DIMENSIONS

Belmixing-bowl-lift 1050



DEPOSITOR
SOLUTIONS

www.depositorsolutions.com

Call : 07484 381042