

Belslice Press Slicer

Perfect cutting result!

If you need a slicing machine for perfect horizontal cutting of sponge cakes, then Belslice Press is your answer.

1. Design features:

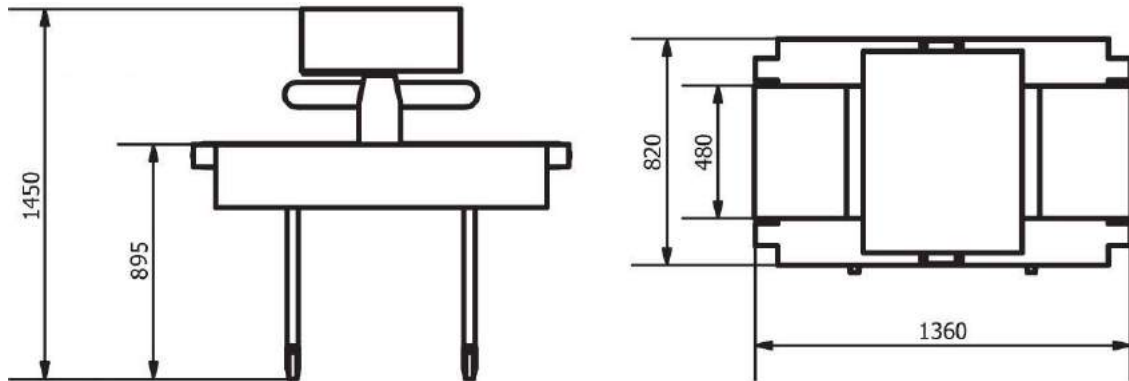
- quick-change height adjustable cutting blades (maximum 5 blades, adjustable in 5 mm steps)
- adjustable conveyor speed
- catch tray for crumbs
- swivel wheels with brakes
- a press belt with adjustable speed and manually adjustable in height; presses the sponge down and ensures ideal slicing of layers



SPECIFICATIONS

	Belslice Press Slicer
POWER	220 V single phase, 50/60 Hz, 0,5 kW
CAPACITY	max. product width 480 mm max. product length 650 mm max. product height 95 mm cutting thickness 5-10-15, etc. mm (distance between knives) lower layer is always 10 mm (distance between the lowest knife and conveyor belt) about 20 big cakes/min about 40 small cakes/min (max diam. 220 mm)

DIMENSIONS



 **DEPOSITOR**
S O L U T I O N S

www.depositorsolutions.com

Call : 07484 381042